



Class S1
EN 14450

Gun safes - light construction Models "Freiburg"

Class S1 in accordance with European standard PN-EN 14450:201
Certificate no. P41/114/07/2007 (2514), proved and certified by IMP
and safety grade A in accordance with VDMA 24992 issue May 1995

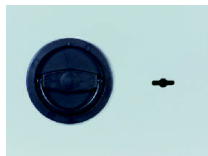


fire-retardant

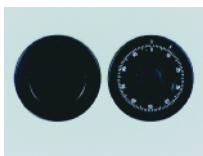
Insurance value: Safety grade A in accordance with VDMA 24992 issue May 1995 up to € 5.000,- . (Not binding, informational values only, please contact your insurer). **For maximum 10 pieces of long gun, ammunition in an internal compartment (a cabinet must be anchored).** Limited protection against burglary. Single-wall body, 3mm steel. Double wall door 52mm (6mm door leaf). Ramrod handle at the internal door side. The gun location height of 1300 mm under the internal safe. A gun handle made of foam plastic.
Colour: RAL 7035 gray or RAL 6020 green (indicate the selected colour in your order!)
Special paint coating at extra charge.



Art. 51002



black plastic knob
(standard option)



Art. 51020



Art. 51021
+ Art. 51022

The change of dimension or a special make possible with extra charge.

Art.No.	Model	External dimensions in mm HxWxD		Number of gun holders	Weight kg
51000	FREIBURG	1500 350 360	All cabinets have binder's depth	5	86,0
51001	FREIBURG	1500 500 360		7	109,0
51002	FREIBURG	1500 560 360		9	115,0
51003	FREIBURG	1500 700 360		10	140,0
51020	Mechanical combination lock, 1 mln combinations – instead of key lock				
51021	Electronic lock DFS S Plus (1 master code + 99 user codes), with electronic emergency opening, memory of last 4050 operations, possibility of copying data onto computer (audit) using a software and cable (see art. 51030)				
51022	Electronic lock DFS S (1 master code + 99 user codes), without electronic emergency opening, memory of last 4050 operations, possibility of copying data onto computer (audit) using a software and cable (see art. 51030)				
51023	Partition wall below the inner safe with 3 adjustable shelves, instead of the part of space using for guns (please specify no of gun holders), left over gun holders (supplied separately) that can be fitted later, at extra charge				
51030	CD-ROM with software and cable for DFS lock (memory of last 4050 operations)				
51032	Special rubber (with high content of caoutchouc) gun holder instead of standard holder				
51033	Electronic lock DFS SB (1 master code + 9 user) instead of a key lock				
51034	mechanical emergency release (with double-bitted key lock) for DFS S locks				
51035	mechanical emergency release (with combination lock) for DFS S locks				
51036	Anchoring materials (two bolts and 2 screws for safe anchoring)				

Weight, colour and dimension information is not binding. Any mistake, weight, colour and dimensions modification restricted.
Minor deviations from a given weight, colour and dimensions are inclined by a production process. Any technical modifications restricted.

Standard version: Main door: DB VdS, class 1 lock with two keys (65mm long), Folding handle made of plastic, black, protruding for 12mm. Latching mechanism, door opening angle 90°, cylindrical lock internal safe with two keys, 2 holes in both, back wall and floor (a cabined must be anchored), right-side door (left-side door at request at no extra charge), Paint coating RAL 7035 (RAL 6020 at request at no extra charge).

Series "Freiburg" Class S1

COLOUR External dimensions approx. HxWxD (mm)

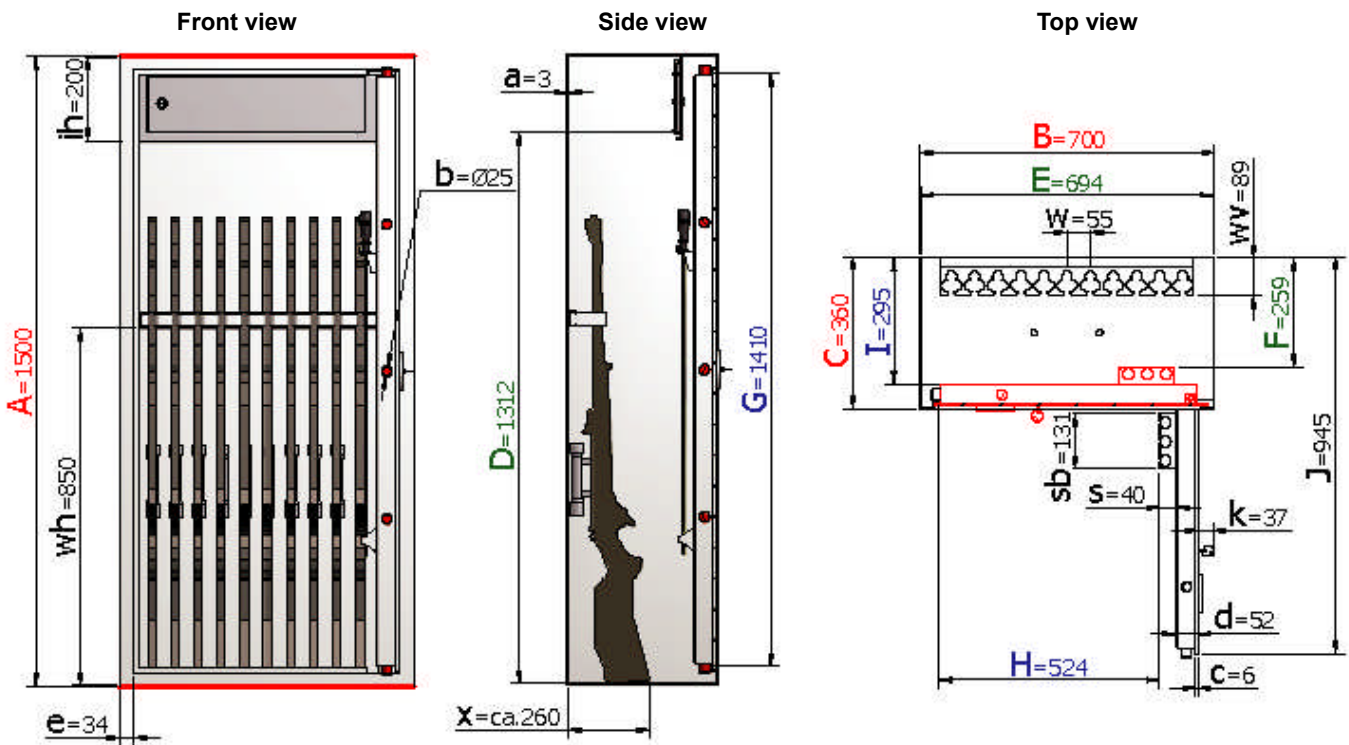
COLOUR Internal dimensions approx. HxWxD (mm)

COLOUR Clear dimensions approx. HxWxD (mm)

Dimensions - details [mm]

Art.No.	External height	External width	External depth	Height under internal cabinet	Internal width	Internal depth	Clear passageway height	Clear passageway width	Clear internal depth (from closed door to back wall)	External depth with door open 90°	Boltwork			Back
											no of locking bolts			
											Front	Dist ance mm	Top/ Bottom	
A	B	C	D	E	F	G	H	I	J					
51000	1500	350	360	1312	344	259	1410	174	295	595	3	350	1/1	Overlapping profile
51001	1500	500	360	1312	494	259	1410	324	295	745	3	350	1/1	
51002	1500	560	360	1312	554	259	1410	384	295	805	3	350	1/1	
51003	1500	700	360	1312	694	259	1410	524	295	945	3	350	1/1	

Art.No. 51003 Standard make



X – approx. distance from the back wall to the end of the riffling with optical zoom (can change for rifflings of different length or with other optical equipment)

Legend

Interior:

- Top – inner safe 200mm high with a cylindrical lock
- 10 gun holders at 55mm intervals, on the back side
- Ramrod holder, on the door

Thickness of body metal plate	Bolt diameter	Thickness of door metal plate	Total thickness of door	Thickness of frame	Jutting of keys/fitings
a	b	c	d	e	k

Height of inner safe	Jutting out of ramrod holder	Width of ramrods	Spacing between gun holders	Height of gun holders	Jutting out of gun holders	Distance from the back wall to the end of the riffling
ih	s	sb	w	wh	wv	x

Weight, colour and dimension information is not binding. Any mistake, weight, colour and dimensions modification restricted. Minor deviations from a given weight, colour and dimensions are inclined by a production process. Any technical modifications restricted.

Series "Freiburg" Class S1

COLOUR External dimensions approx. HxWxD (mm)

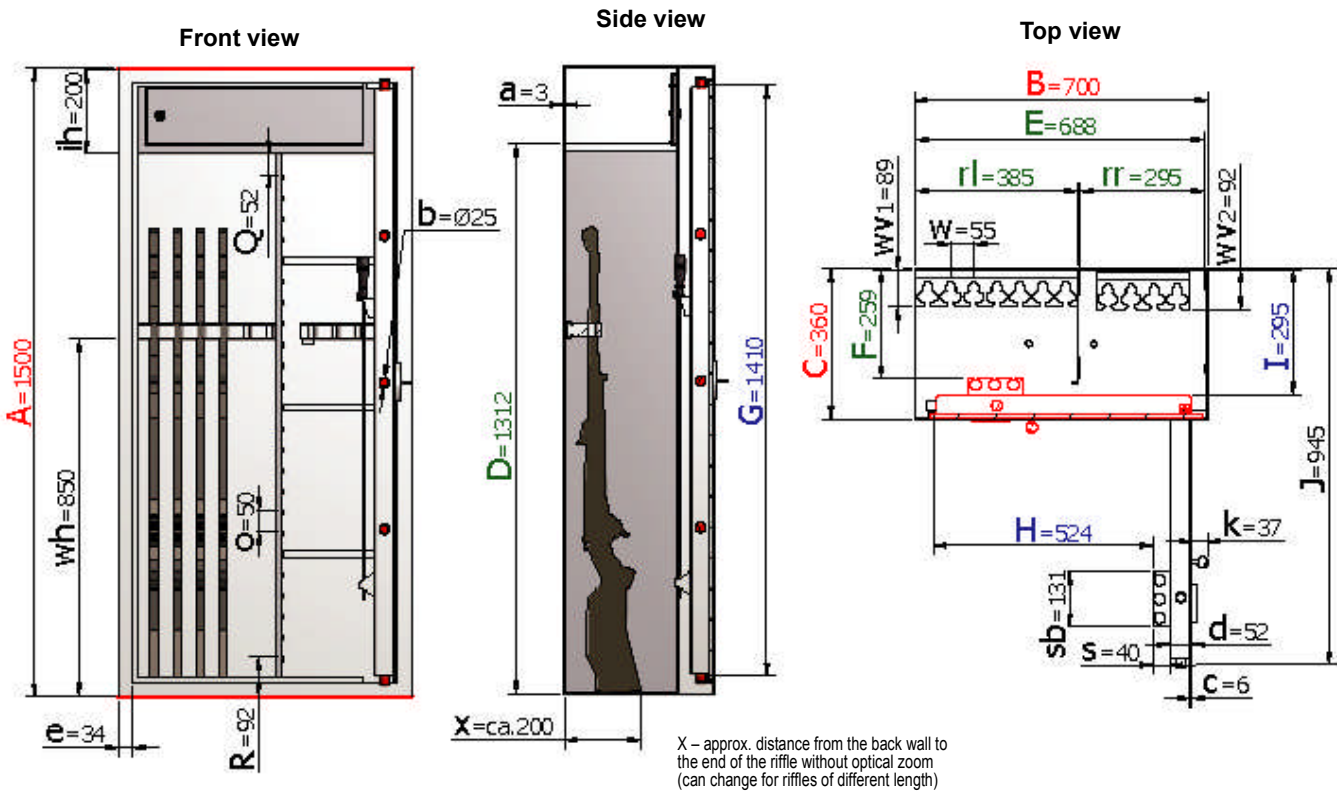
COLOUR Internal dimensions approx. HxWxD (mm)

COLOUR Clear dimensions approx. HxWxD (mm)

Dimensions in mm – with a complete interior (at extra charge)

Art.No.	External height	External width	External depth	Height under internal cabinet	Internal width	Internal depth	Clear passageway height	Clear passageway width	Clear internal depth (from closed door to back wall)	External depth with door open 90°	Distance between top hole on the ladder and upper wall	Distance between first bottom hole on the ladder and the base	Boltwork			
													no of locking bolts			Back
													Front	Distance mm	Top/Bottom	
A	B	C	D	E	F	G	H	I	J	Q	R					
51000	1500	350	360	1312	338	259	1410	174	295	595	52	92	3	350	1/1	Overlapping profile
51001	1500	500	360	1312	488	259	1410	324	295	745	52	92	3	350	1/1	
51002	1500	560	360	1312	548	259	1410	384	295	805	52	92	3	350	1/1	
51003	1500	700	360	1312	688	259	1410	524	295	945	52	92	3	350	1/1	

Art.No. 51003 with Art.No. 51023 Complete interior (at extra charge)



Interior extras:

(art. 51023 – see table on the main page of this product)

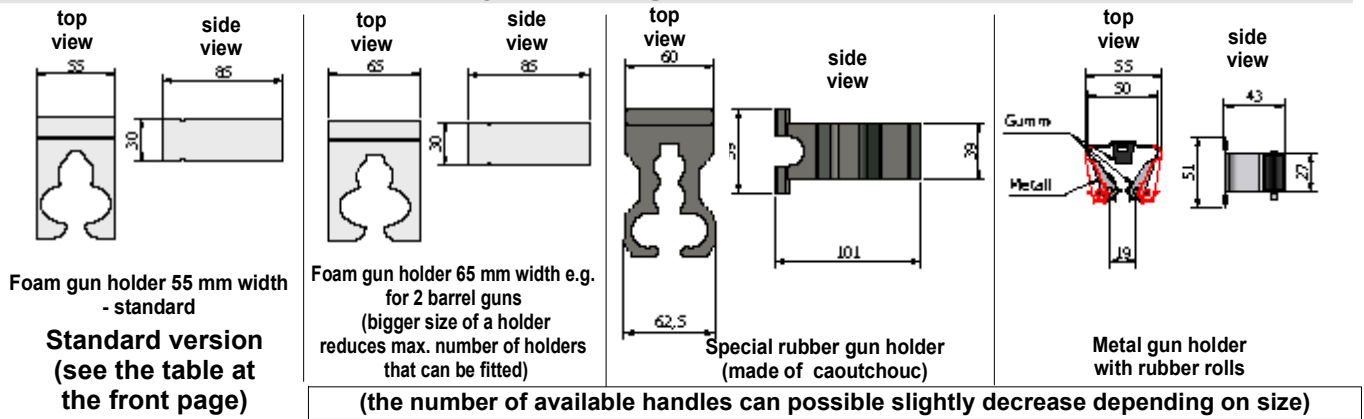
- division wall underneath the inner safe
- 7 gun holder in the left section (fitted on the back wall)
- 3 adjustable shelves and removable console with gun holders in the right section

Legend

Thickness of body metal plate	Bolt diameter	Thickness of door metal plate	Total thickness of door	Thickness of frame	Height of inner safe	Jutting of keys/ fittings	Distance between holes on the ladder	Jutting out of ramrod holder
a	b	c	d	e	ih	k	o	s
Width of ramrods	width of the gun section	width of the storage section	Spacing between gun holders	Height of gun holders	jutting out of gun holder	jutting out of gun holder (console)	Distance from the back wall to the end of the rifle	
sb	rl	rr	w	wh	wv1	wv2	x	

Weight, colour and dimension information is not binding. Any mistake, weight, colour and dimensions modification restricted. Minor deviations from a given weight, colour and dimensions are inclined by a production process. Any technical modifications restricted.

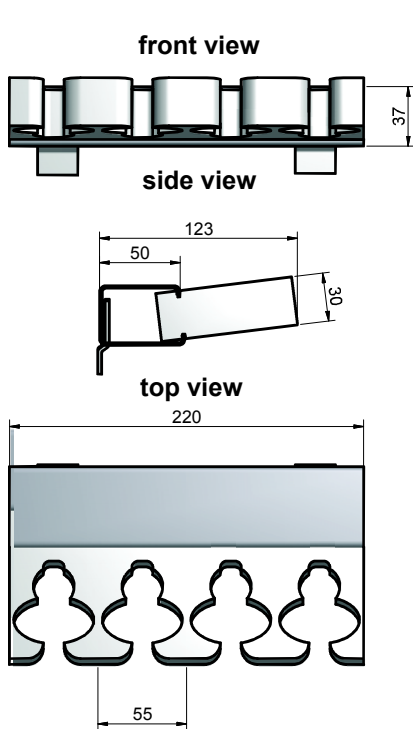
Types of gun holders



Foam gun holders are connected into one block (e.g. art. 51003 in standard make, contains 11 holders in one block)

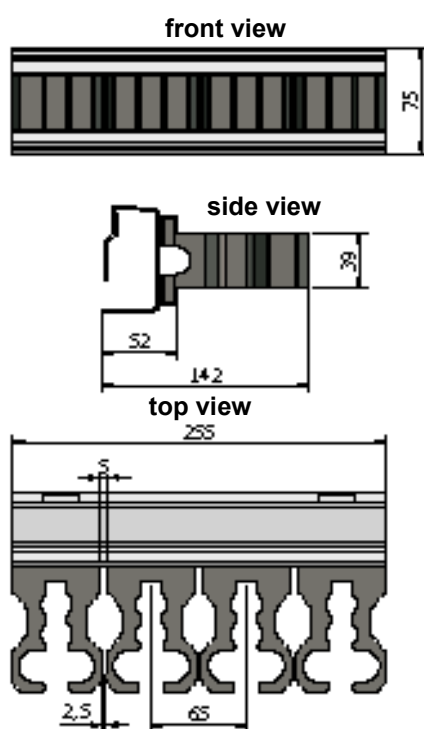
Above holders are used as single elements, therefore can be removed individually when necessary (i.e. to make bigger spacing between holders)

Examples of removable consoles with gun holders - if art. 51023 (division wall) is ordered with 55mm standard gun holders, alternatively, at extra charge, with rubber or metal holders



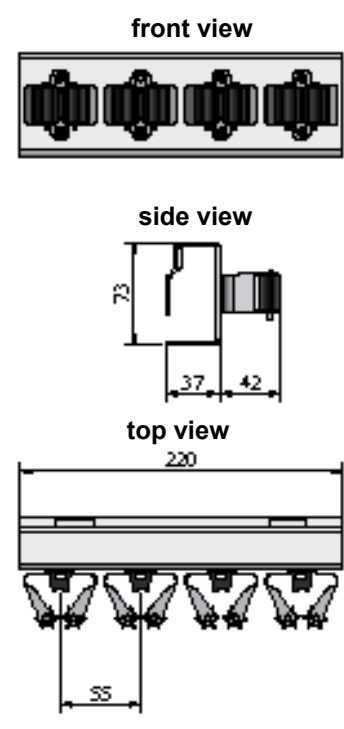
Foam gun holders are used only in blocks (on the photo a block of 4 holders)

Console with foam holders (standard)



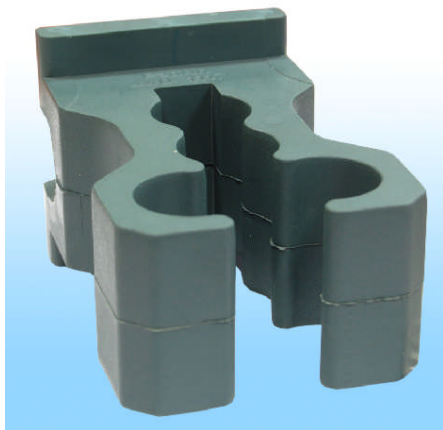
This type of holders are fitted individually onto console, each of them can be removed at any time and other spaced out

Rubber holders with a high content of caoutchouc (resistant to maintenance and conservation agents) - at extra charge



This type of holders are fitted individually onto console, each of them can be removed at any time

Console with fitted metal holders (on request at extra charge)



Art. 51032 Special gun holder made of a rubber with a high content of caoutchouc, for a demanding customer (resistant to maintenance and conservation agents) optimally protects gun from scratching, etc. at extra charge. Rubber gun holders are used as single elements, therefore can be removed individually when necessary (i.e. to make bigger spacing between holders)